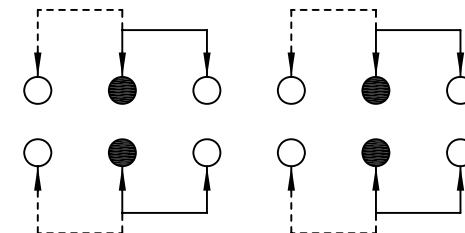
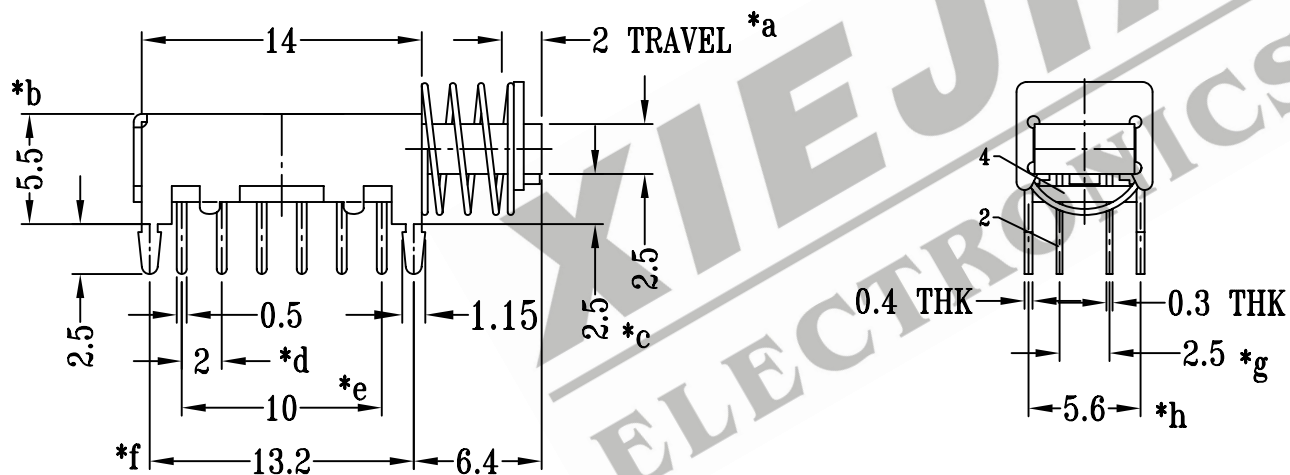
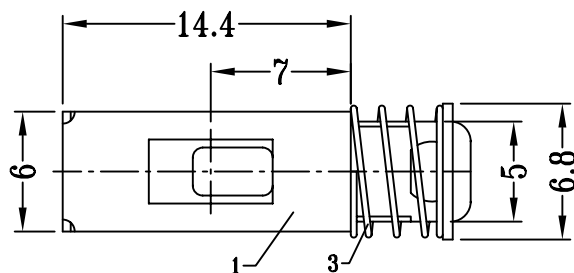
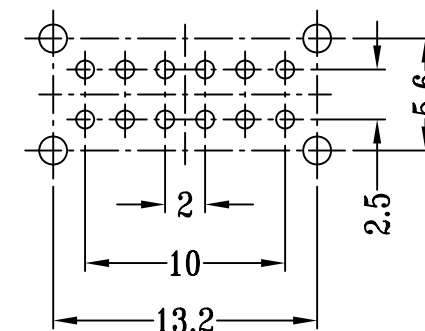


CAD FILE:



SCHEMATIC (NON-SHORTING)



P.C.B LAYOUT

注：“*”表示关键尺寸（8个）

NO.	PART NAME	MATERIAL	Q'TY	FINISHING	TOLERANCE UNLESS SPECIFIED	SHENZHEN XIEJIA ELECTRONICS CO.,LTD.					
8						TITLE : PUSH SWITCH		UNIT : MM	DRWG NO : XJ-DR-PS42D11-00		
7	CONTACT CLIP	PBS	4	Ag CLAD		MODEL: PS-42D11		SCALE: 5 : 2	DWN.	ZHOUYU	2003-12-19
6	BLOCK	STEEL STRIP	1	Ni PLATED	WITHIN: 1.5±0.1mm OVER : 1.5±0.2mm	ISSUE	DATE	DESCRIPTIONS		APPD.	
5	KNOB	PBT	1	WHITE							
4	BASE	PHENOLIC RESIN	1	NATURAL							
3	SPRING	STAINLESS STEEL	1	Ni PLATED							
2	TERMINAL	BRASS STRIP	12	Ag PLATED OVER Ni PLATED				CHK'D	FANGYING	2003-12-19	
1	FRAME	STEEL STRIP	1	Sn PLATED				APPD.	KANGXINAN	2003-12-19	
					ALL MATERIALS MUST BE COMPLIANT TO ROHS						